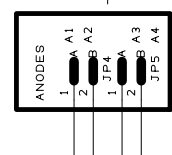
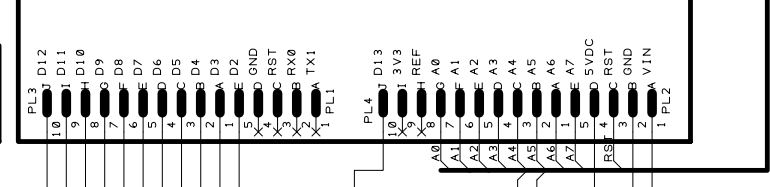


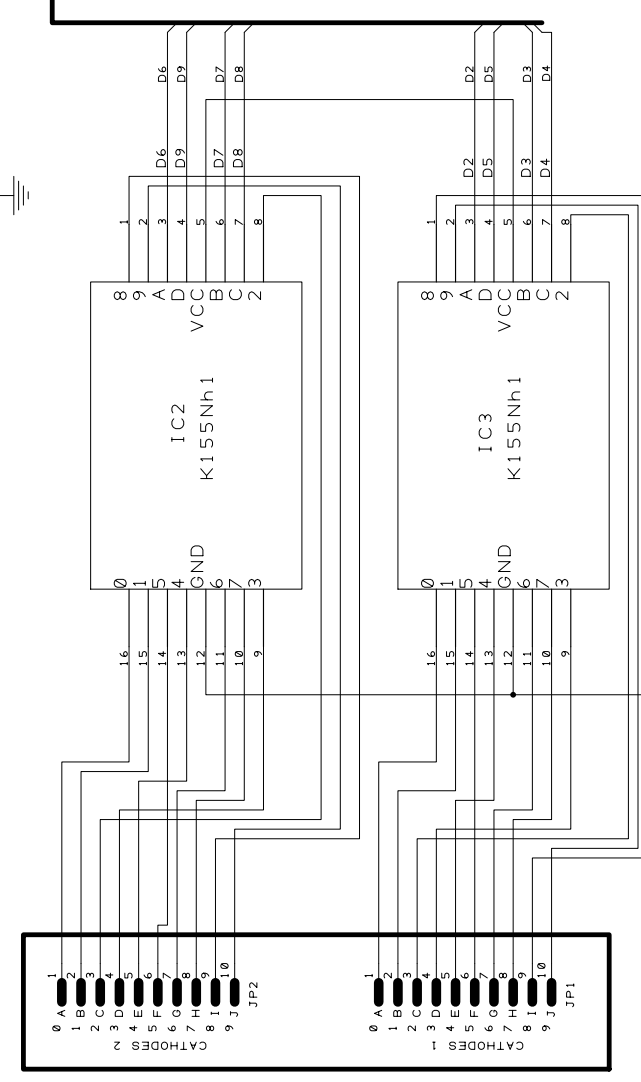
Anodes
 A1 - Tubes 1/4
 A2 - Tubes 2/5
 A3 - Tubes 3/6
 A4 -



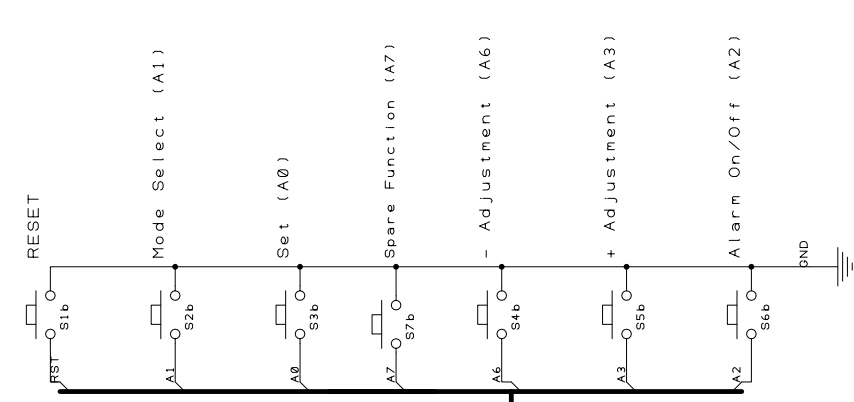
To Nixie Tubes Anodes



To Arduino Nano



To Nixie Tubes Cathodes



Changes :
 DS3231 RTC board added
 Switch arrangement changed

